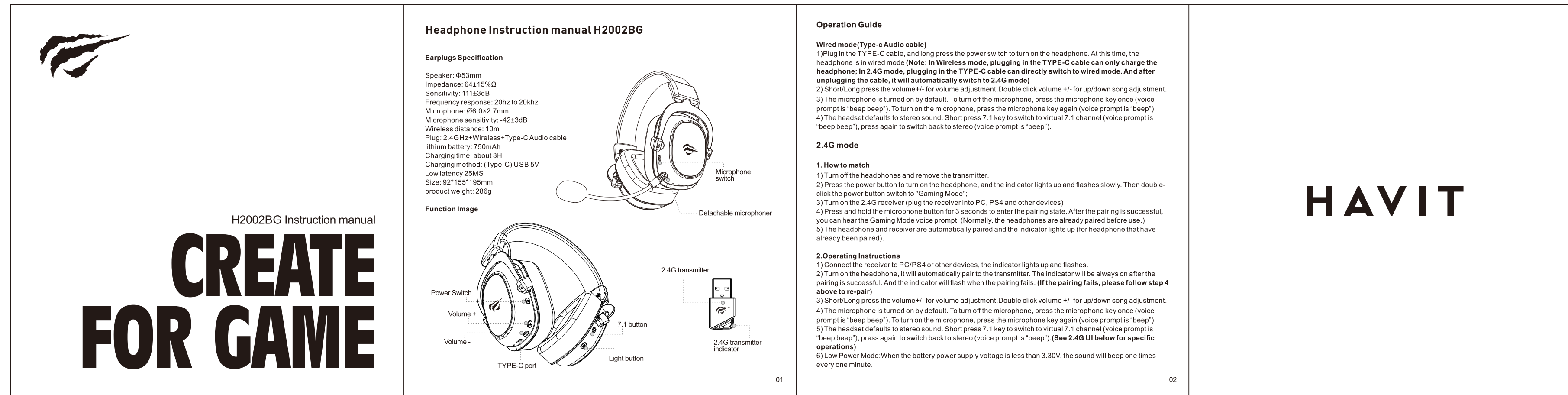


成型尺寸120*120mm

材质：128g双铜双面印刷，单色印刷

封面

封底



7) Power off mode when the battery power supply voltage is less than 3.25V or when there is no sound source connection the with 10 minutes, the headset will turn off.

Bottom/Function/Light	Function Instruction	Operation	Mark
7.1 button	7.1 Sound effects	Click the 7.1 button	Default 2.0 mode, two beeps for 7.1 mode, one beep for 2.0 mode
	2.4G mode and wireless mode switching	Double-click the 7.1 button	2.4G mode beep: Gaming Mode, power on
Volume+	Volume+	Click	One beep at maximum volume
	Next song	Long click press	Double click
Volume-	Volume-	Click	Minimum volume beeps once
	Previous	Long click press	Double click
Mic on/off	Mic on/off	Short click	Default is on, the transmitter indicator is always on, off the microphone indicator is off
	2.4G mode pairing code	Long press for 3 seconds	Successful code matching will have "Gaming Mode" beep
Light button	LOGO lighting control	Click	Colorful Streaming mode-Colorful Steady mode-LED OFF
Power switch	ON/OFF	ON: Long press 1.5s OFF: Long press 3s	2.4G mode: "Gaming Mode", "power on", "power off", "power off"
	Play/Pause	Short click	

Wireless mode

- 1) Turn on the headphone, double-click the 7.1 button switch to wireless mode, and you can hear the voice prompt: "wireless mode". When the headphone enter the pairing mode, the indicator will flash and voice prompt is "power on".
- 2) This headphone is compatible with most of smart phones and other devices that support wireless headphone protocol.
- 3) Turn on your phone and enter wireless mode. Then search "H2002BG" for pairing.
- 4) Click "H2002BG" to pair. After pairing is successful, the voice prompt is "connected", and the indicator will be always on. (If the device have been paired before, the headphone will automatically connect with it under wireless mode.)

Key Function

Answer an incoming call

Short press the power button to answer the incoming call.
Tip: As some mobile phones answer calls through their own receivers by default, please refer to your mobile phone instructions and set them on your mobile phone.

End current call

Short press the power button to end the current call.

Refuse to answer the phone

When there is an incoming call, double click the power button.

Play music

- 1) Play/Pause: short press the power button.
- 2) Previous song: Double-click "Volume+" to previous song.
- 3) Next song: Double-click "Volume-" for the next song.
- 4) Volume+ : Short/long press "Volume+" to increase the volume.
- 5) Volume- : Short/long press "Volume-" to decrease the volume. (See the wireless UI below for details.)

Bottom/Function/Light	Function Instruction	Operation	Prompt/Voice
7.1 button	Wireless mode without 7.1 function		
	2.4G mode and wireless mode switching	Double-click the 7.1 button	Wireless mode beep, wireless mode power on, waiting for pairing: Pairing
Volume+	Volume+	Click	One beep at maximum volume
	Next song	Long click press	Double click
Volume-	Volume-	Click	Minimum volume beeps once
	Previous	Long click press	Double click
Light button	LOGO lighting control	Click	Colorful Streaming mode-Colorful Steady mode-LED OFF
Mic on/off	Mic on/off	Short click	Default is on, the transmitter indicator is always on, off the microphone indicator is off
	Enter wireless pairing mode	Long press for 3 seconds	There will be a "pairing" tone
Power switch	ON/OFF	ON: Long press 1.5s OFF: Long press 3s	Wireless mode: "wireless mode", "power on", "Waiting for pairing", "Pairing", "Power off", "power off"
	Play/Pause	Short click	
	Answer/hang up phone	Short click	
	Decline a call	Double click	

Warnings

- Please follow the instruction to operate
- PLS charge the headphone with input power below 3.3V. In order to protect the battery;
- Please store or use the headphone in a normal temperature environment.
- PLS keep the headphone from heat source, such as radiators, hot air regulators, stoves, or other heat generating instruments. As it is not anti-high temperature.
- Don't jam the ports of the headphone, such as charger port, LED port and microphone etc.
- In order to protect your hearing and extend the headphone service life, it is not recommended to adjust the volume to the maximum level for a long time.
- Whatever reasons damage the headphone, please feel free to contact our after-sales staff in time rather than repair by yourself. Otherwise, you will accept without after-sales service.

Cód. de Homologação 13976-23-12374

ESTE EQUIPAMENTO NÃO TEM DIREITO À PROTEÇÃO CONTRA INTERFERÊNCIA PREJUDICIAL E NÃO PODE CAUSAR INTERFERÊNCIA EM SISTEMAS DEVIDAMENTE AUTORIZADOS.

产品名称:	H2002BG说明书
材质:	128g双铜
折法:	风琴折
尺寸:	120*120(mm)
设计人:	设计部——何筱杰
定稿日期:	2024.5.14